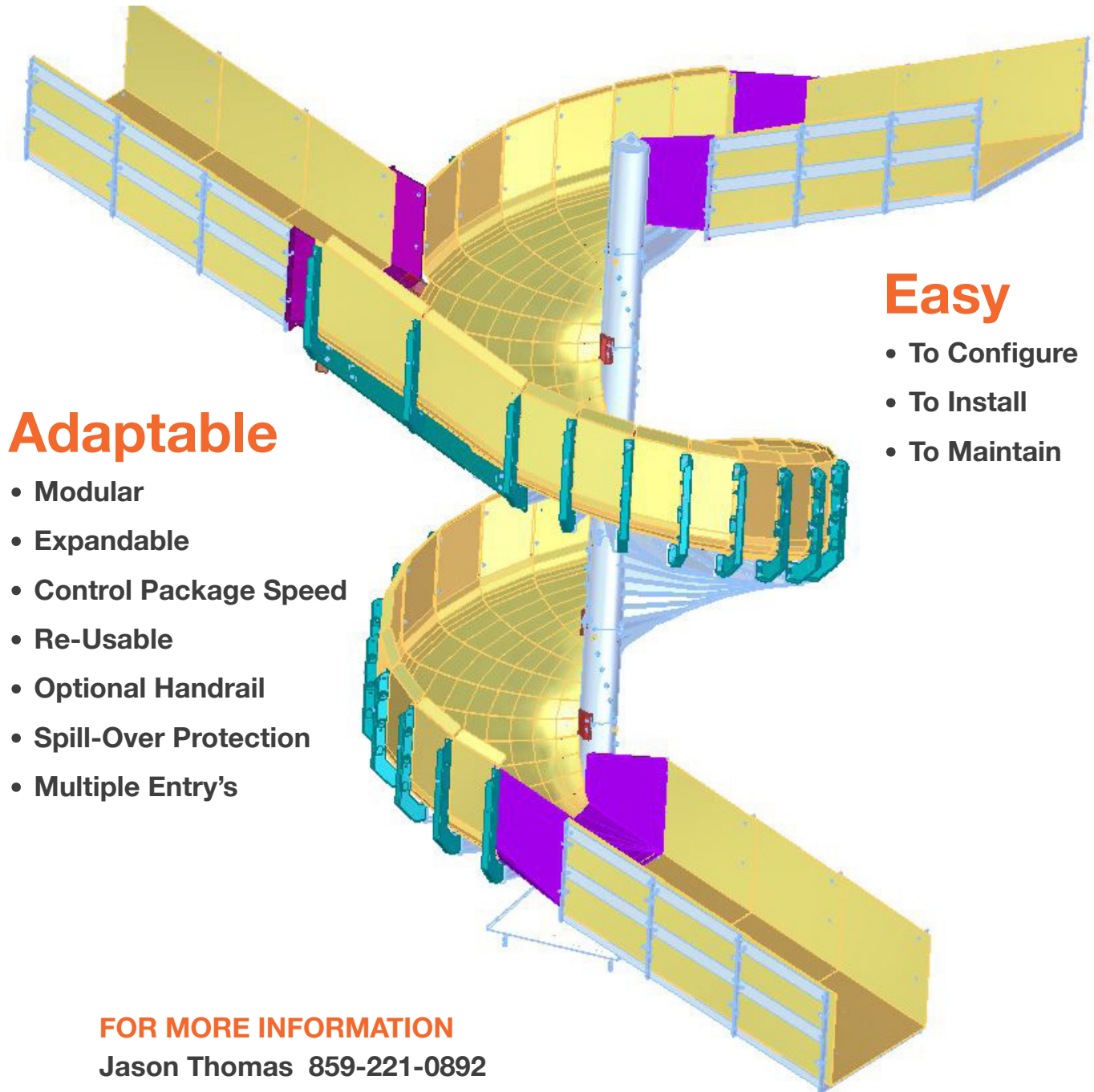


**PATENT PENDING TECHNOLOGY
NO-WELDING**



Adaptable

- Modular
- Expandable
- Control Package Speed
- Re-Usable
- Optional Handrail
- Spill-Over Protection
- Multiple Entry's

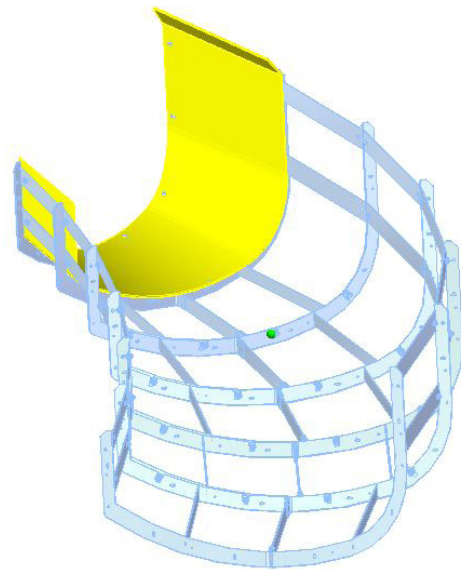
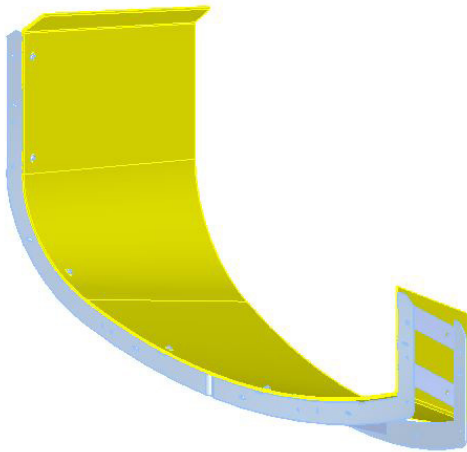
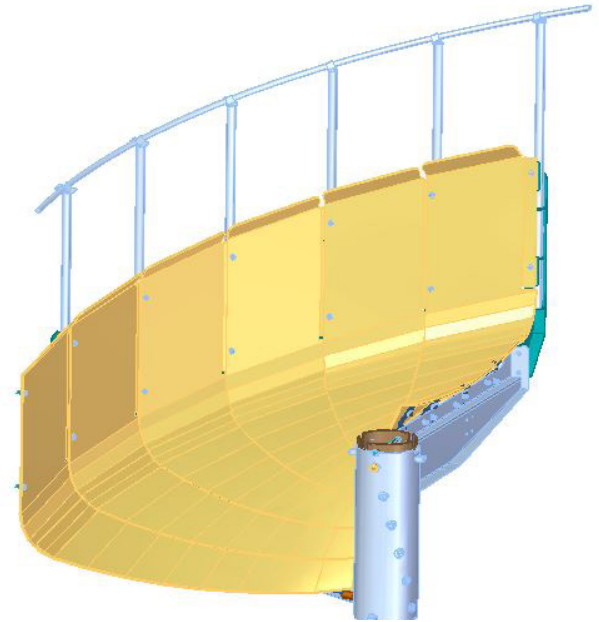
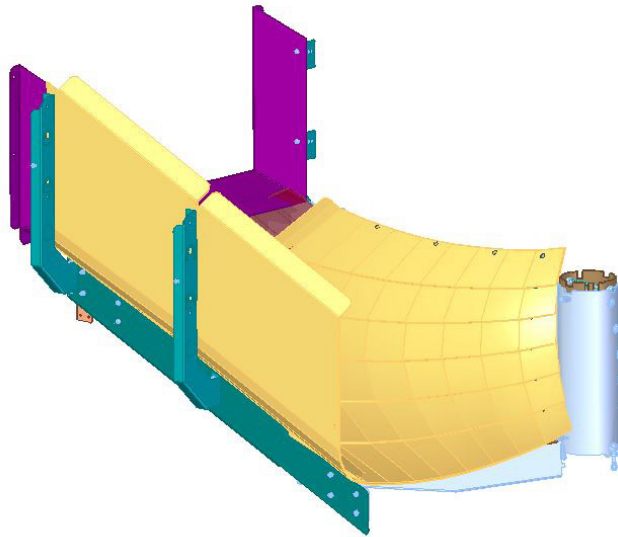
Easy

- To Configure
- To Install
- To Maintain

FOR MORE INFORMATION

Jason Thomas 859-221-0892
jthomas@stockmhs.com

**PATENT PENDING TECHNOLOGY
NO-WELDING**



FOR MORE INFORMATION

Jason Thomas 859-221-0892
jthomas@stockmhs.com

Conveyor Systems • Gravity Chutes • Ball Transfers / Caster Decks • Components

Empowering High Volume Facilities To Shift, Sort, And Ship More Efficiently

Success Through Service • Value Added Approach • Continuous Improvement • Field Specialists

10040 Cilley Rd. Cleves, OH 45002

(513) 353-3600 • sales@stockmhs.com